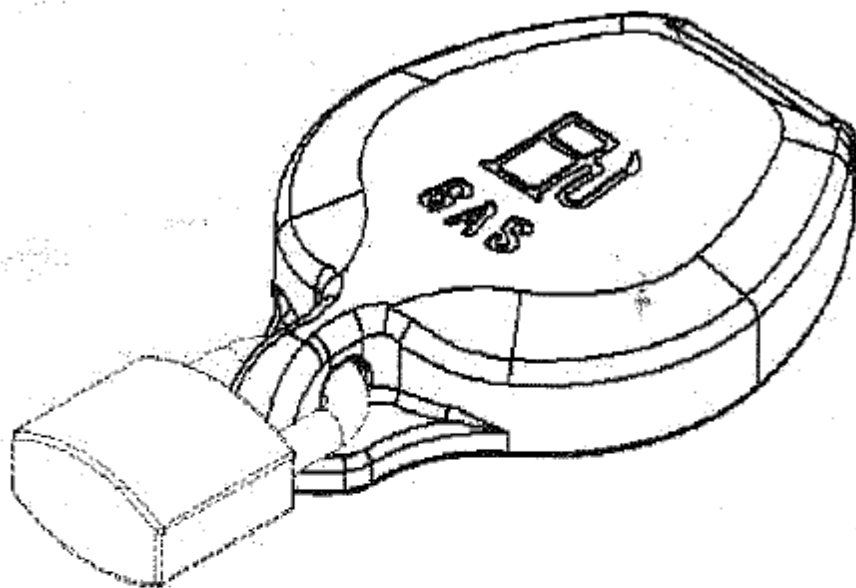
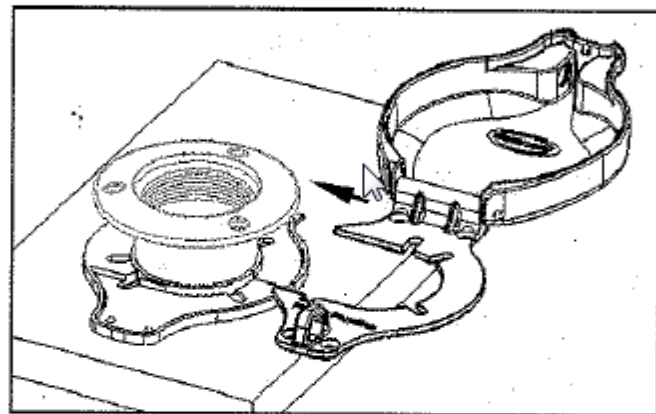


Effectively protect the fuel tank of your boat!



- Prevents fuel theft. Easy to use with conventional padlock.
- Easy to install: lift deck fill and slide this protective device under its flange. No need to disassemble fuel line.



Where to use:

This anti-theft cover fits typical 2" and 1.5" deck fills (non vented) within the following size:

Deck fill flange: Max 3.75" (95mm) dia.

Flange height: Max 0.67" (17mm)

Mounting screws:

- 3 or 4 screws
- Located on pitch circle dia. 2.4" ~ 2.75" (61 ~ 70mm)

Sketch shows mounting slots accommodating deck fills with 3 or 4 screws.

