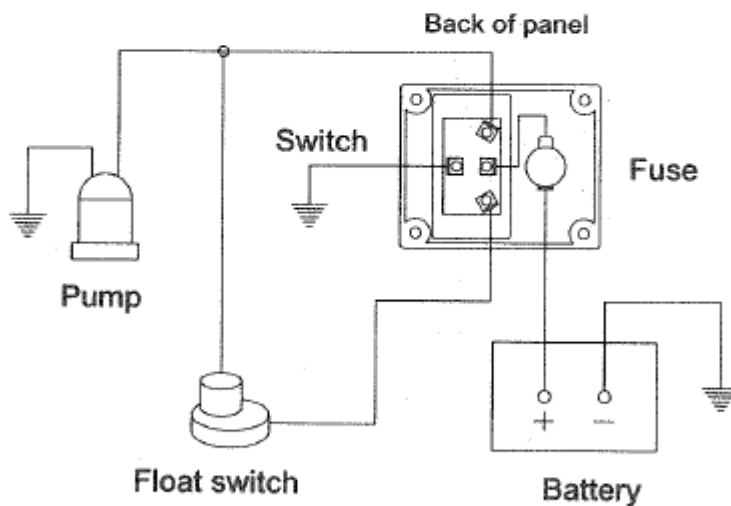


Bilge Pump Control Panel

INSTALLATION INSTRUCTIONS

- (A) Cut a 56 mm x 54 mm (2.20" x 2.13") hole in dashboard.
- (B) Connect the positive electrode of the battery to the fuse holder terminal. Next connect one lead of the float switch to the lower terminal on the back of the switch, as shown in figure below. Connect the other lead of the float switch and one lead of the pump to the upper terminal of the switch.



RECOMMENDED FUSE SIZES

12 Volts

<u>400 GPH pump</u>	<u>600 GPH pump</u>	<u>1400 GPH pump</u>	<u>1850 GPH pump</u>
5A	10A	15A	20A