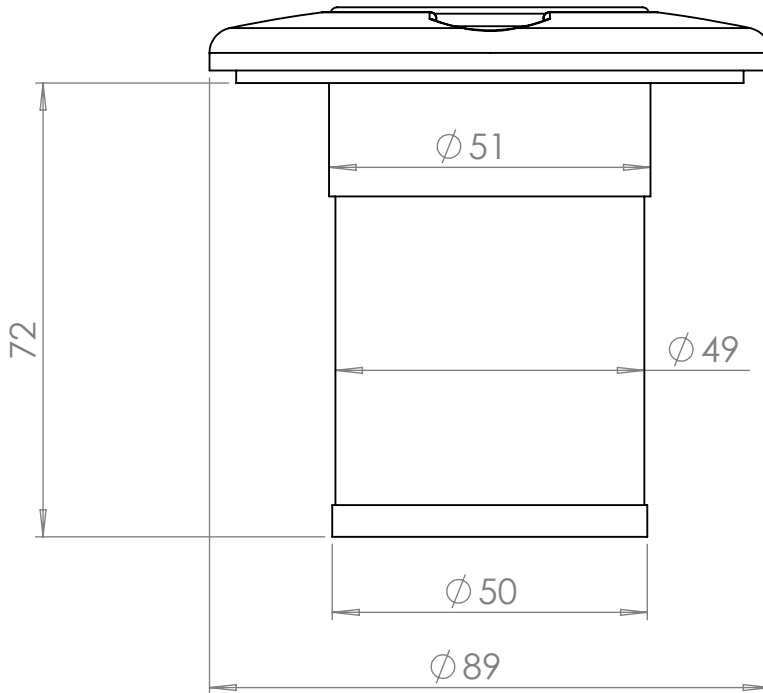
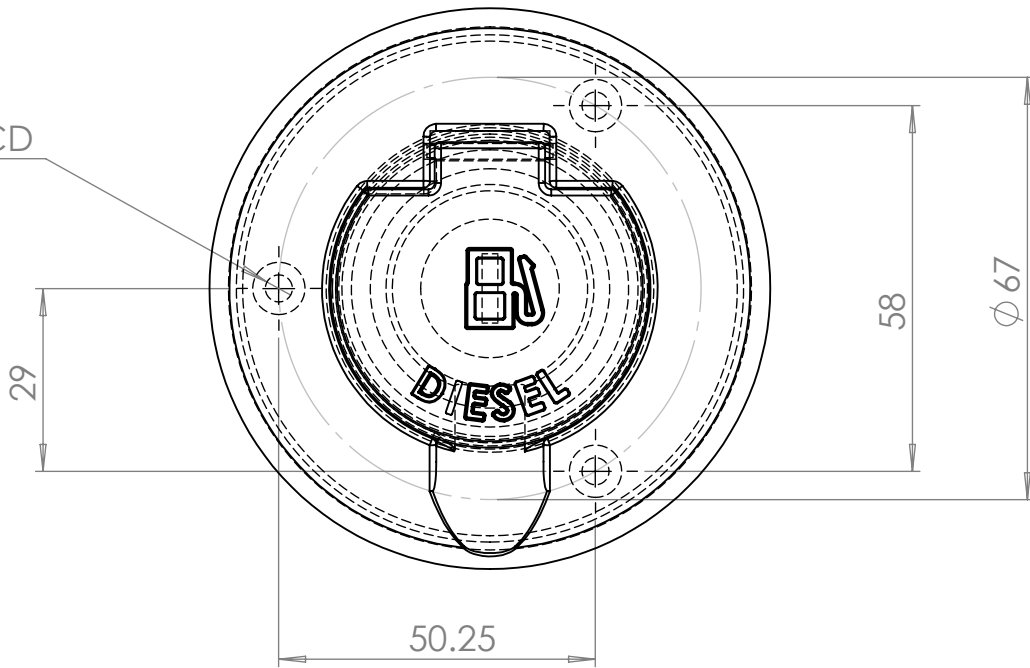


$\phi 4.3$   
 3 OFF  
 ON 67mm PCD



Product Name: <b>FUEL FILLER</b>		
Firm Name & Address: Jay Wolfe Metalwork Ltd Unit 4 Horsley Road Northampton NN2 6LJ		Notes:
Date:	Drawn By: S. Bird	Product Number: DFLCSSD50

