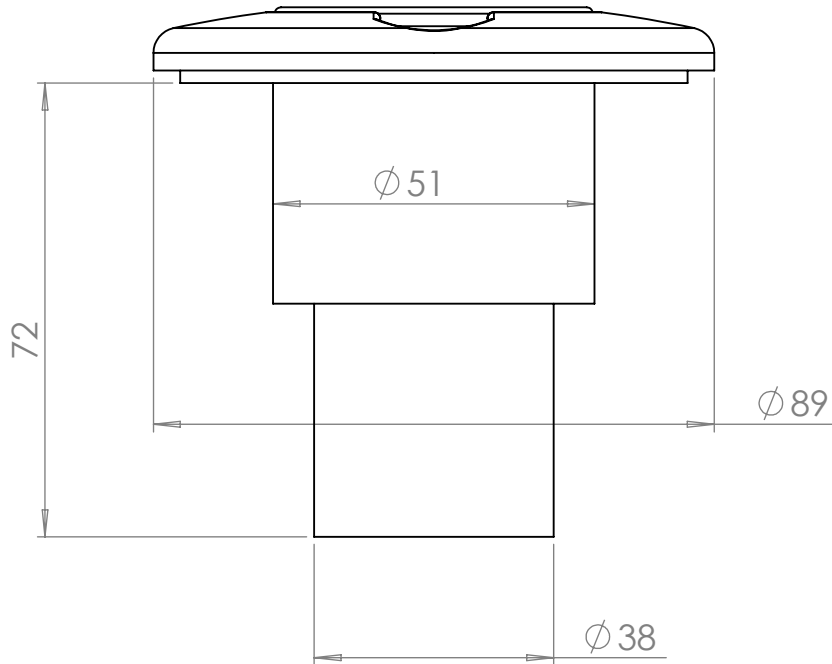
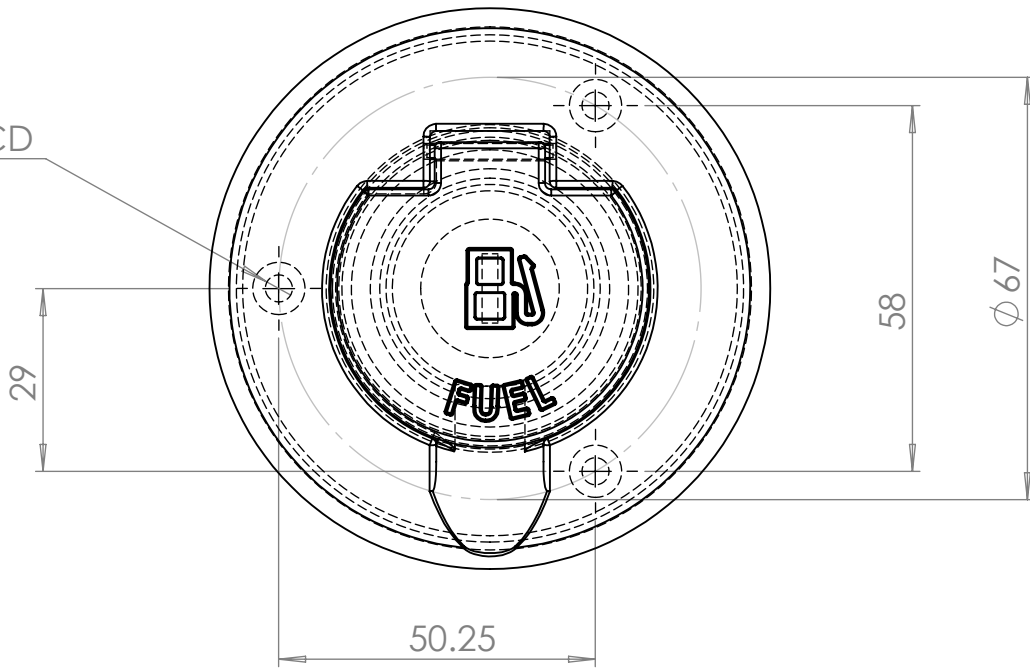



$\phi 4.3$
 3 OFF
 ON 67mm PCD



Product Name: FUEL FILLER		
Firm Name & Address: Jay Wolfe Metalwork Ltd Unit 4 Horsley Road Northampton NN2 6LJ	Notes:	
Date:	Drawn By: S. Bird	
Product Number: DFLCSSF38		