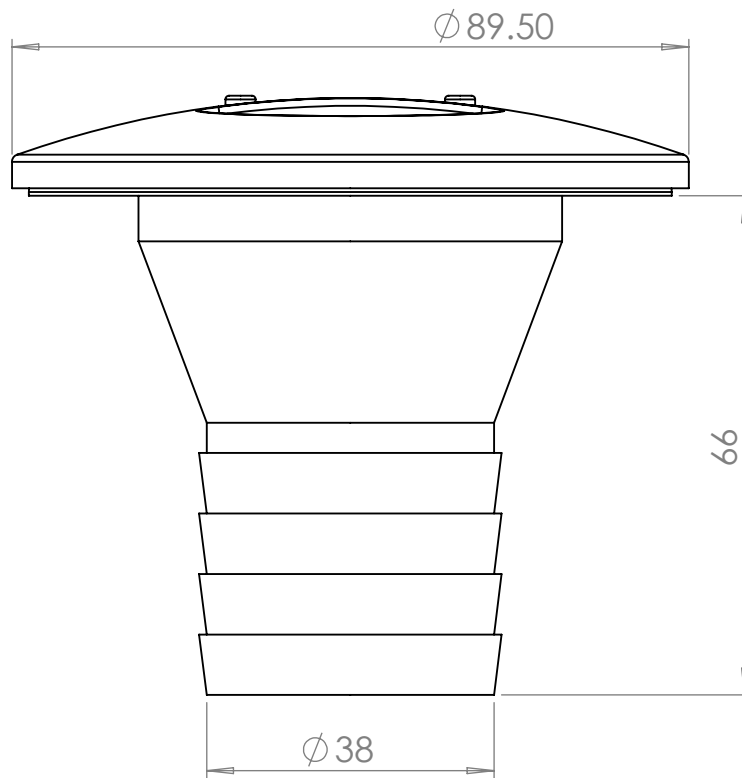
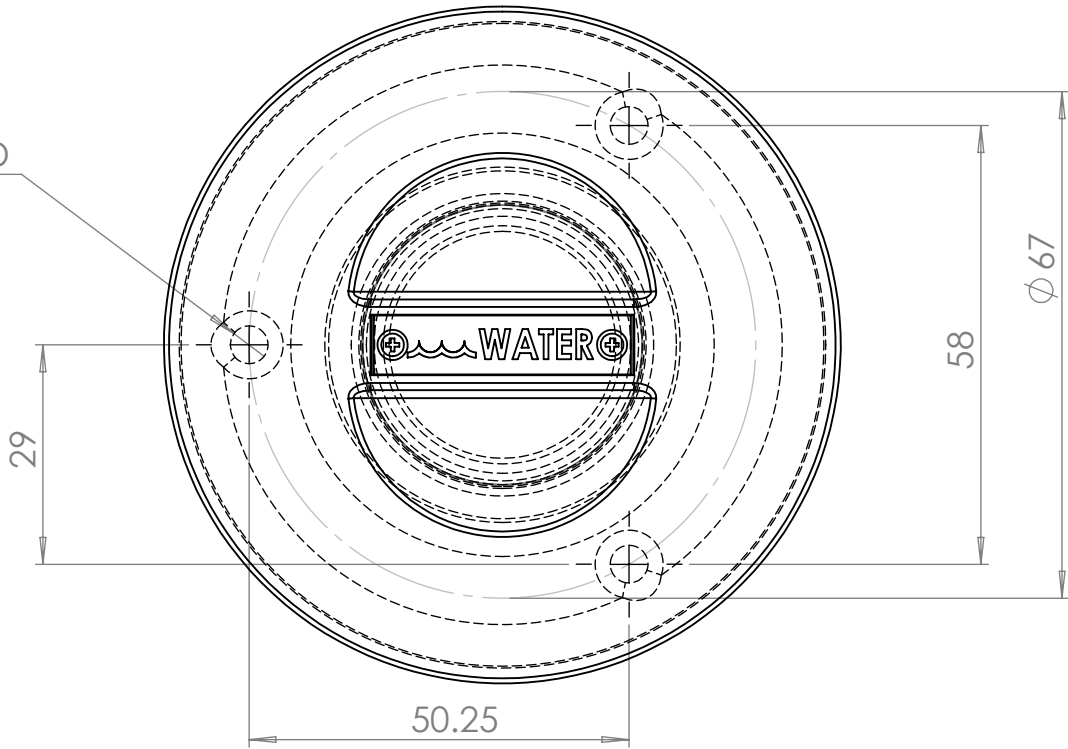


Ø5
3 OFF
ON 67PCD



Product Name:

NYLON WATER FILLER

Firm Name & Address:

Jay Wolfe Metalwork
Ltd
Unit 4
Horsley Road
Northampton
NN2 6LJ

Notes:

Date:

Drawn By:
S. Bird

Product Number:
DFSCBPWR38

