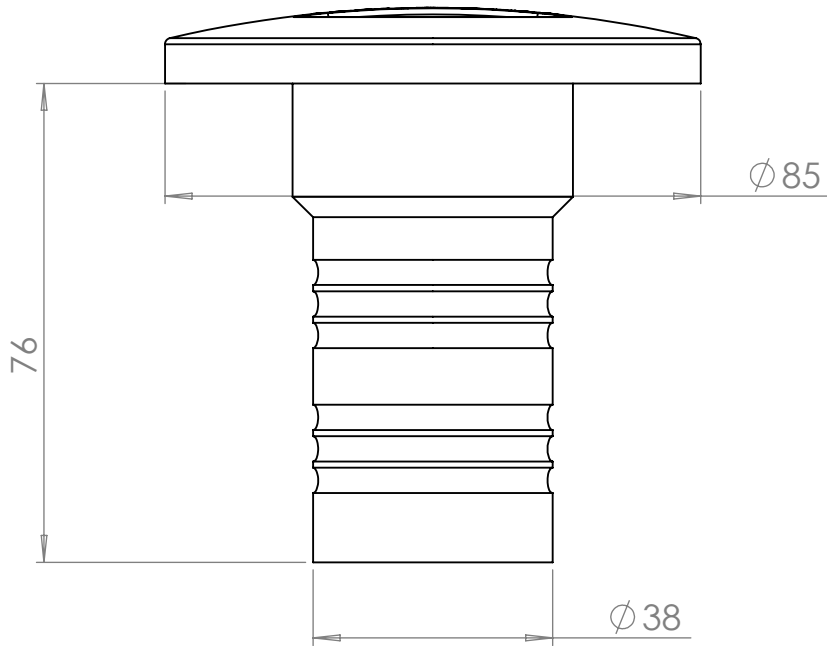
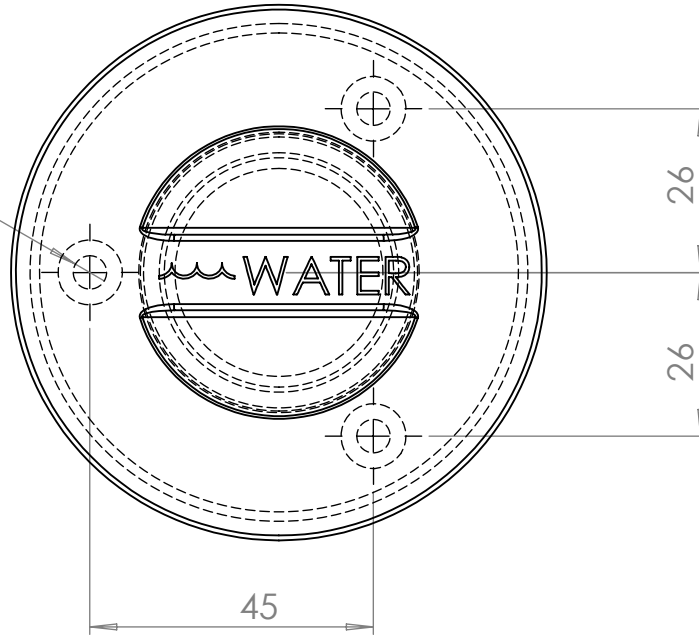


ϕ 5.30
 3 HOLES ON
 60mm PCD



Product Name: FUEL FILLER		
Firm Name & Address: Jay Wolfe Metalwork Ltd Unit 4 Horsley Road Northampton NN2 6LJ		Notes:
Date:	Drawn By: S. Bird	Product Number: DFSCSSWR38

