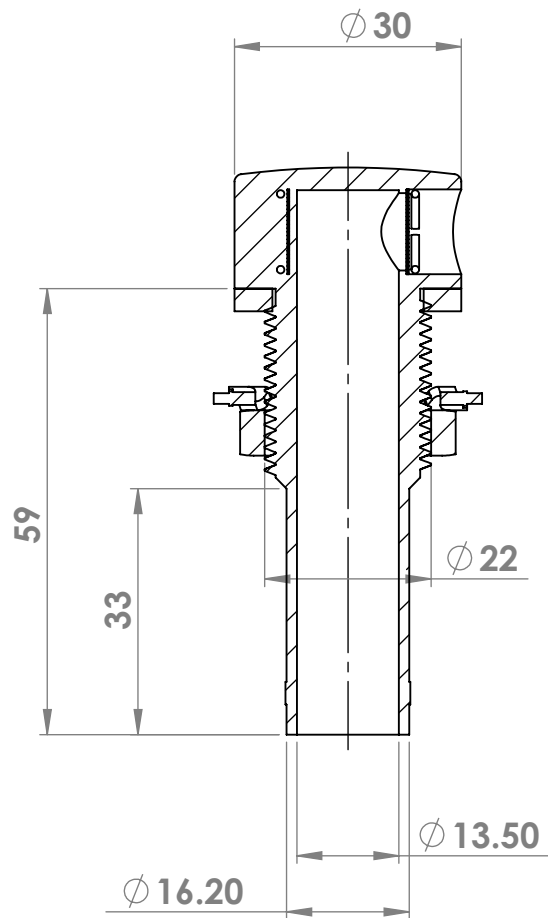
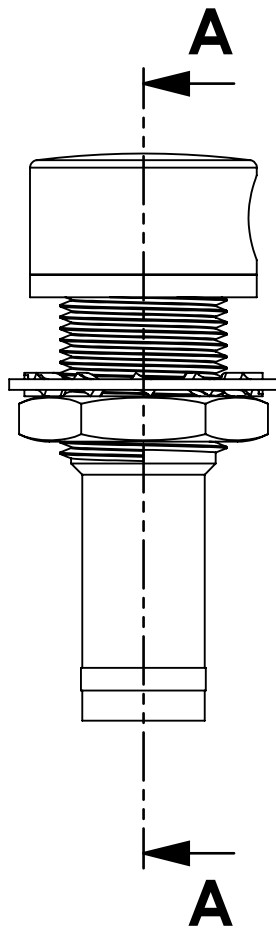
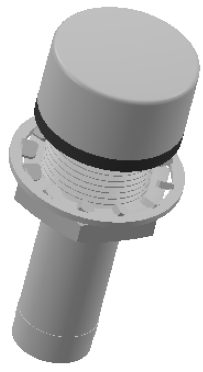


## SECTION A-A



<b>Product Name:</b> <b>FUEL VENT</b>		
<b>Firm Name &amp; Address:</b> <b>Jay Wolfe Metalwork Ltd</b> <b>Unit 4</b> <b>Horsley Road</b> <b>Northampton</b> <b>NN2 6LJ</b>	<b>Notes:</b>	
<b>Date:</b>	<b>Drawn By:</b> <b>S. Bird</b>	<b>Product Number:</b> <b>FVHA19</b>