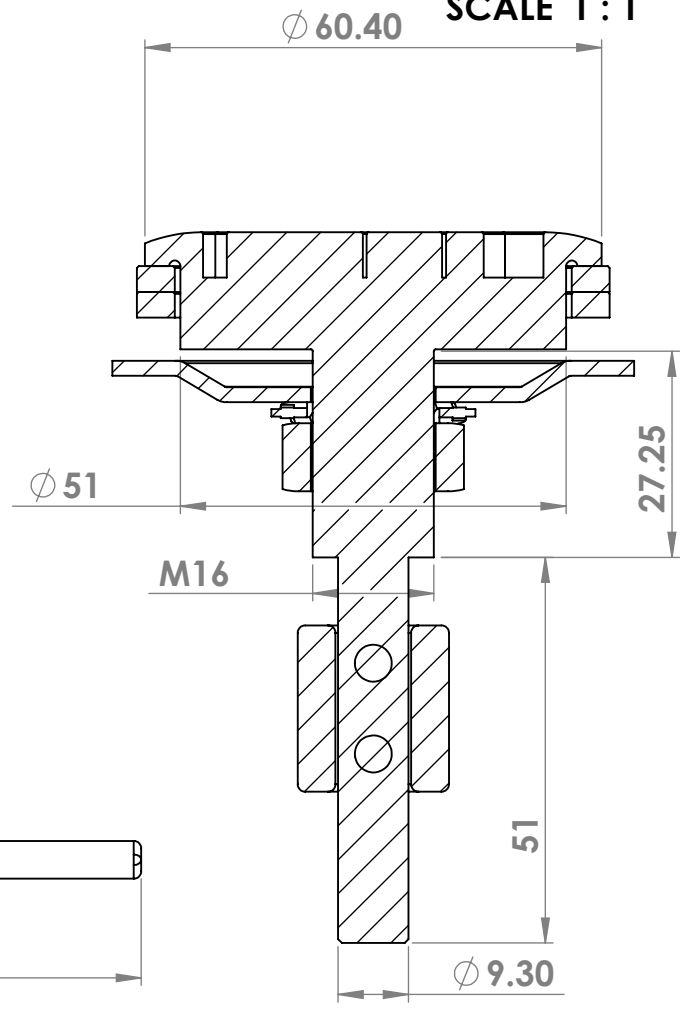
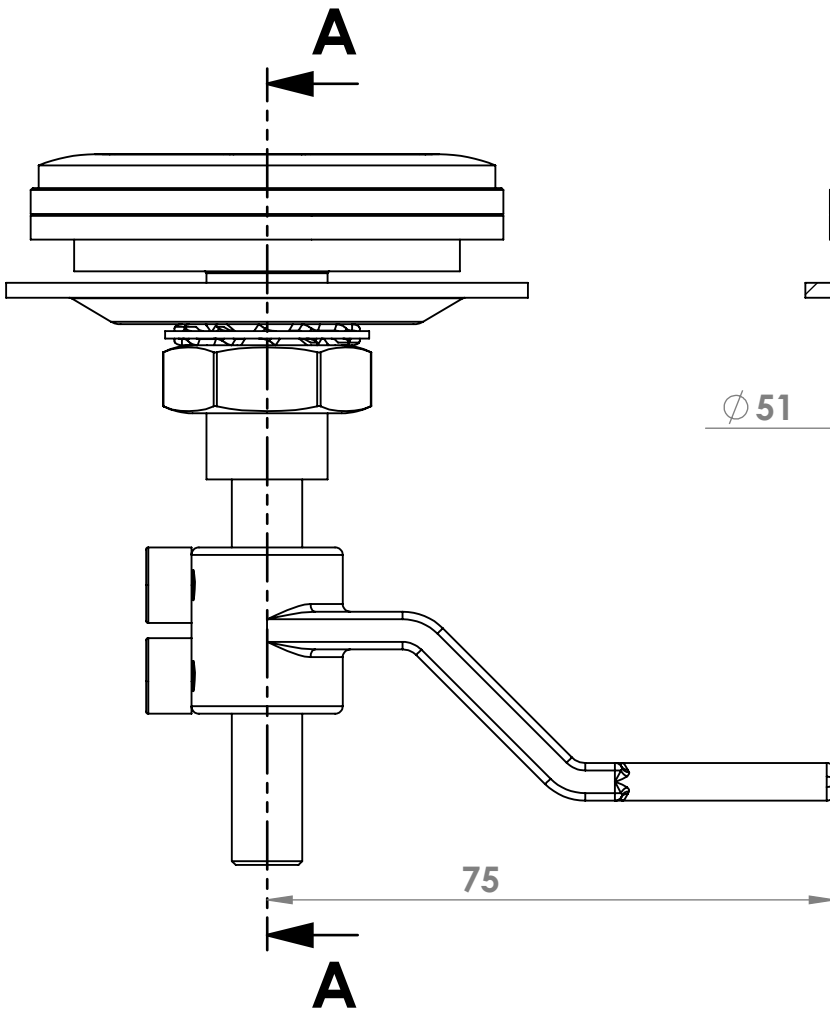


SECTION A-A

SCALE 1 : 1



Product Name: CABIN LOCK		
Firm Name & Address: Jay Wolfe Metalwork Ltd Unit 4 Horsley Road Northampton NN2 6LJ		Notes:
Date:	Drawn By: S. Bird	Product Number: LATCH1

