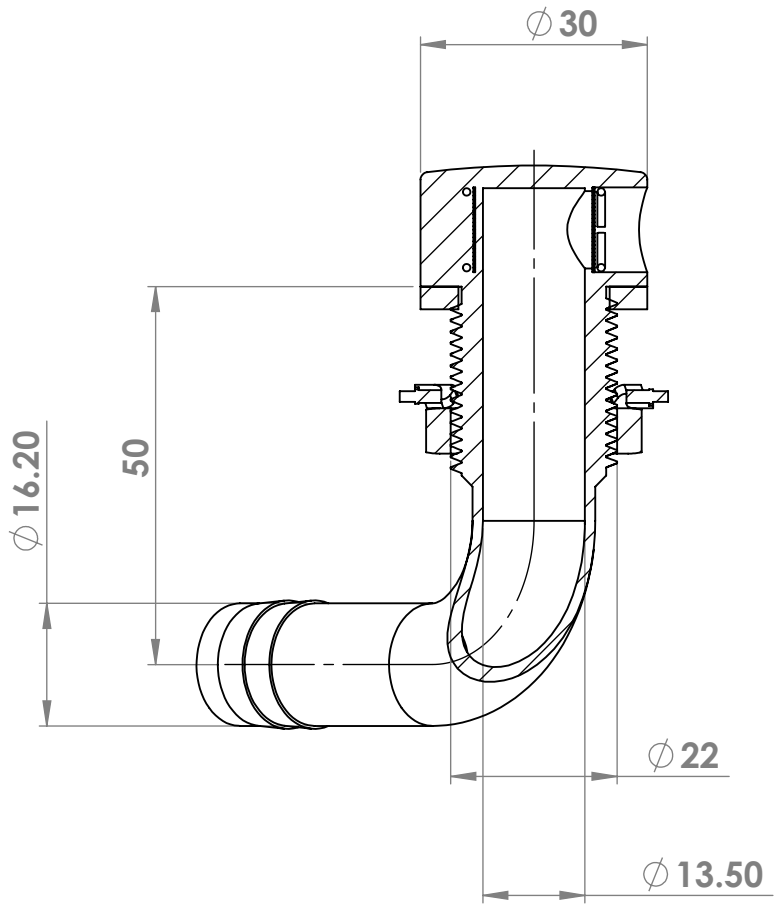
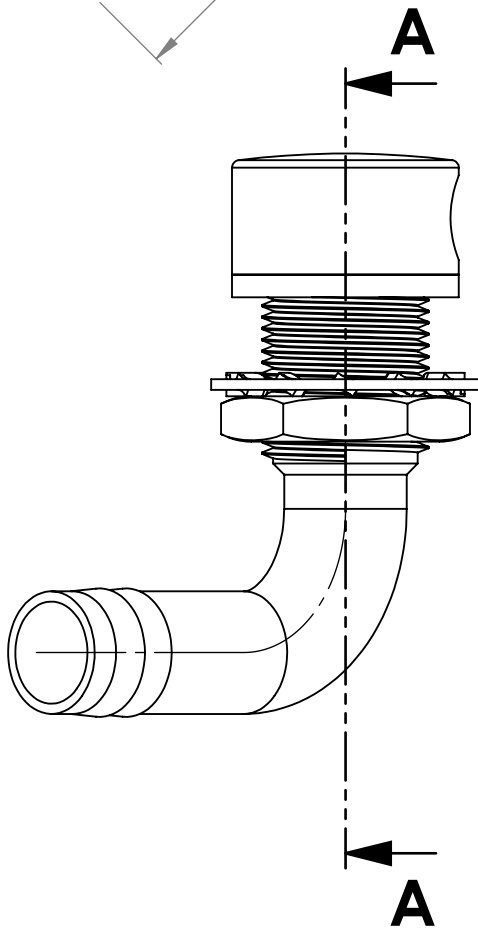


SECTION A-A



Product Name: FUEL VENT		Notes:
Firm Name & Address: Jay Wolfe Metalwork Ltd Unit 4 Horsley Road Northampton NN2 6LJ		
Date:	Drawn By: S. Bird	Product Number: NDFVHA16

