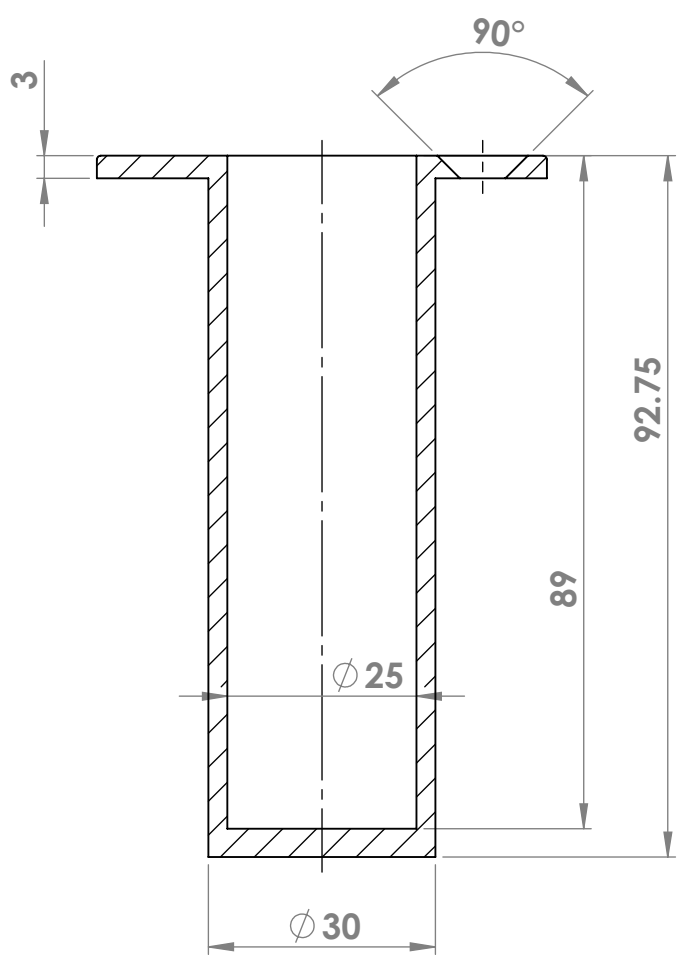
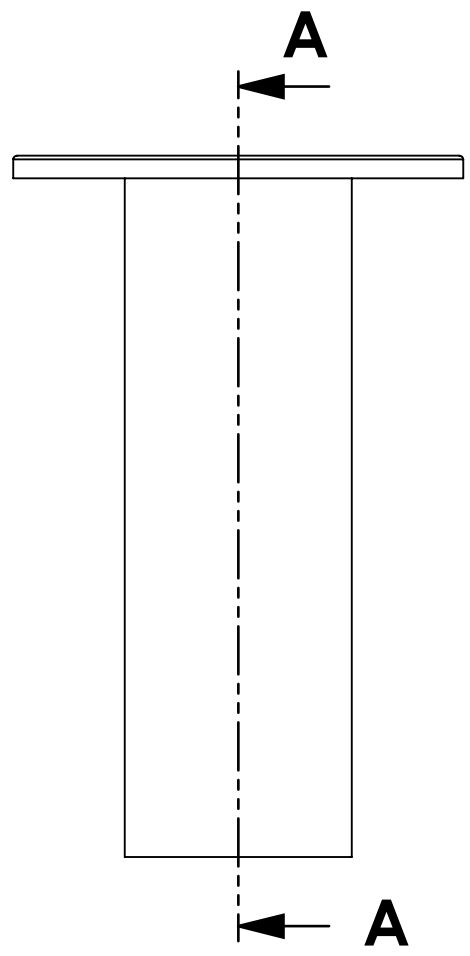


SECTION A-A
SCALE 1 : 1



Product Name: SOCKET		Notes:
Firm Name & Address: Jay Wolfe Metalwork Ltd Unit 4 Horsley Road Northampton NN2 6LJ		
Date:	Drawn By: S. Bird	Product Number: SOCK1

