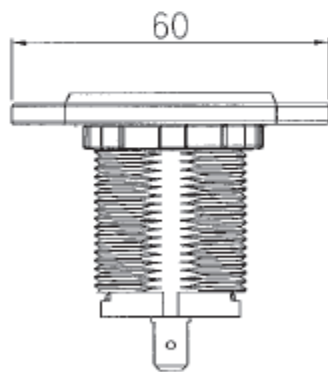
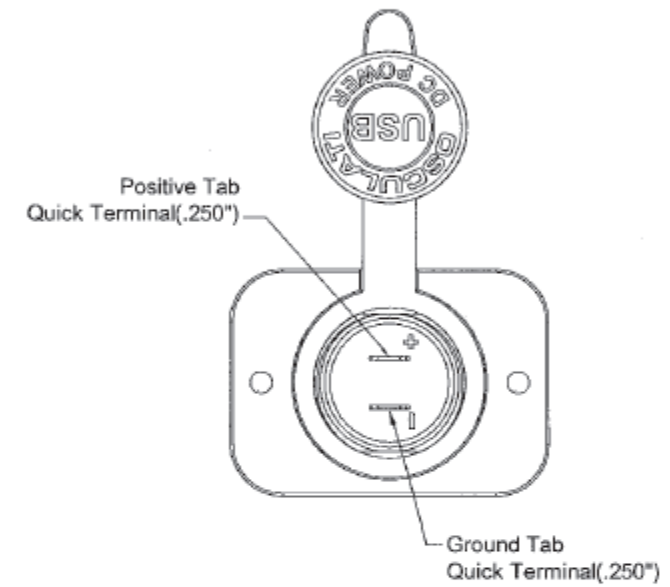
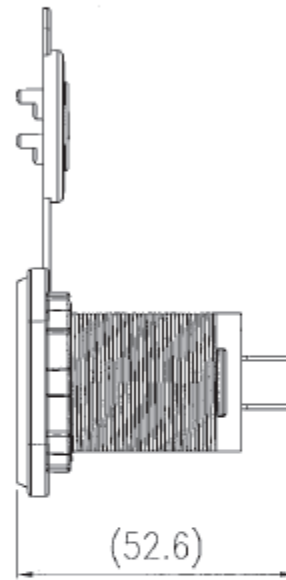
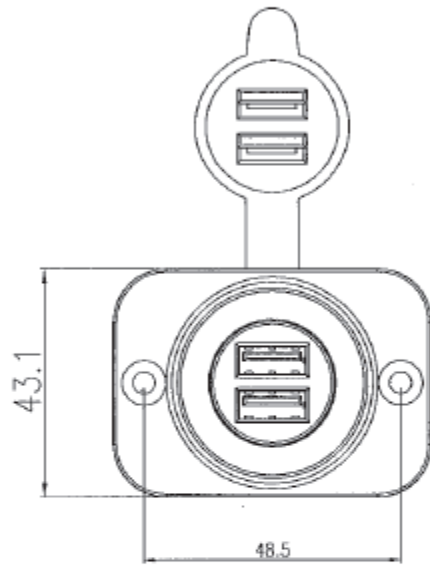




Screw in Bulk  
Φ4XL14

Rating	Input: 12V/24 DC Output: USB Socket - 5V 2.1A max.	<p>Mounting Hole</p>
Insulation Resistance	DC 500V 100MΩ Min.	
Dielectric Strength	AC 1500V 1 minute	
Operating Temperature	-0℃ ~60℃	



1. Tolerances  $\pm 0.3$  Unless Otherwise Specified