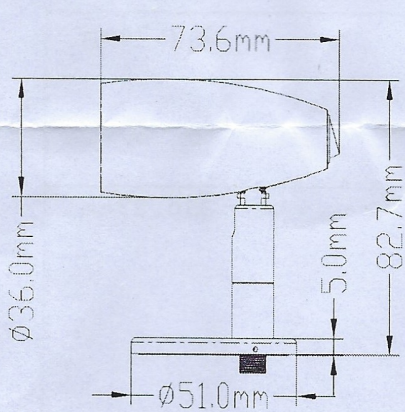


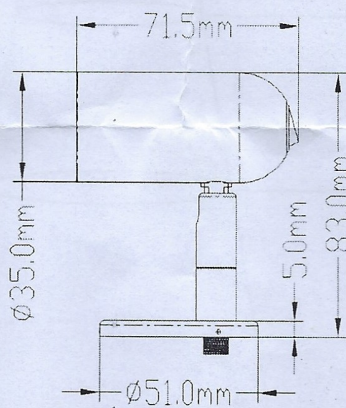
SPOTLED5

00823-BL/00823-CP/00823-CPOY/00824-BL/00824-CP/00825-BL/00825-CP	
Material	Housing:Made of brass
Housing Colour	BL:Brass Lacquered      CP:Chrome Plated Brass
LED Colour	<input type="checkbox"/> Daylight White <input checked="" type="checkbox"/> Warm White <input type="checkbox"/> Red <input type="checkbox"/> Yellow
LED	12pcs 0.2W
LED Beam Angle	120°
Colour Temperature	<input checked="" type="checkbox"/> Warm White:2900-3200K <input type="checkbox"/> Daylight: K
Features	Surface mount
Working Voltage	DC10-30V
Wattage	2 W
Effective Lumen/Power compared to standard bulb	52Lumen/10W
life TEST FOR LED LAMP(1000 hours)	Lumen Maintenance Percentage>90%
Operation Temperature	-20° ~ +45°C
Certificate	<input type="checkbox"/> UL <input type="checkbox"/> CE <input type="checkbox"/> RoHS <input type="checkbox"/> TUV <input checked="" type="checkbox"/> <input checked="" type="checkbox"/>

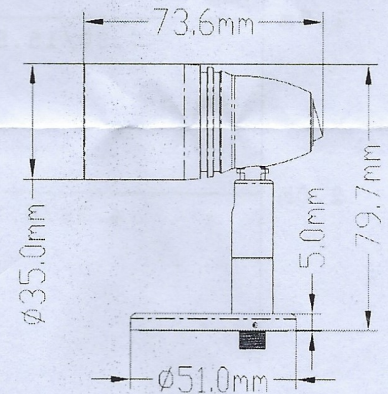
The light is for type "Z" attachments. The external flexible cable or cord of this luminaire cannot be replaced; if the cord is damaged, the luminaire shell be destroyed



00823-BL/CP



00824-BL/CP



00825-BL/CP

GONIOPHOTOMETER TEST REPORT

